

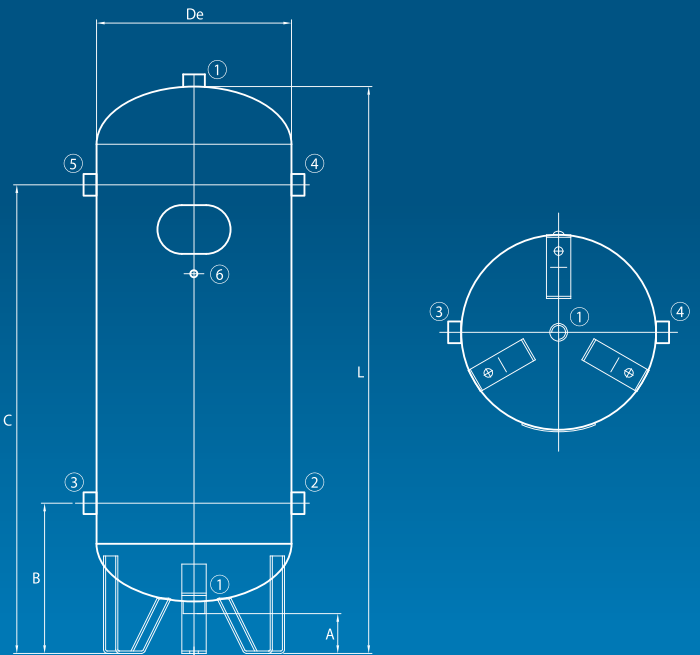
SMALL-SIZE VERTICAL AIR VESSELS



DIRECTIVE 2014/29/UE
OPERATING PRESSURE 11/16 BAR
OPERATING TEMPERATURE -10 +100°C

RAL5015

GALVANIZED



- MATERIAL: CARBON STEEL
- FLUID CONTENT: COMPRESSED AIR / NITROGEN (GROUP 2)
- FINISHING: EXTERNAL RAL 5015 BLUE PAINT (STANDARD) AND INTERNAL AND EXTERNAL HOT-DIP GALVANIZATION
- UPON REQUEST: 1" COUPLINGS ON HEADS



CODE	Directive	Capacity	Operating pressure	De	A	B	C	L	1	2	3	4	5	6	Weight
RAL 5015		Lt	Bar	mm	mm	mm	mm	mm	inch	inch	inch	inch	inch	inch	Kg
VEC01295	2014/29/UE	24	11	240	64	185	535	656	1/2"	-	1/2"	1/2"	-	3/8"	10
VEC01296	2014/29/UE	50	11	305	145	297	777	929	1/2"	1/2"	-	-	1/2"	3/8"	19
VEC00875	2014/29/UE	50	15	305	145	297	777	929	1/2"	1/2"	-	-	1/2"	3/8"	23
GALVANIZED		Lt	Bar	mm	mm	mm	mm	mm	inch	inch	inch	inch	inch	inch	Kg
VEC02301	2014/29/UE	24	11	240	64	185	535	656	1"	-	1/2"	1/2"	-	3/8"	11
VEC01736	2014/29/UE	50	11	305	145	297	777	929	1"	1/2"	-	-	1/2"	3/8"	20