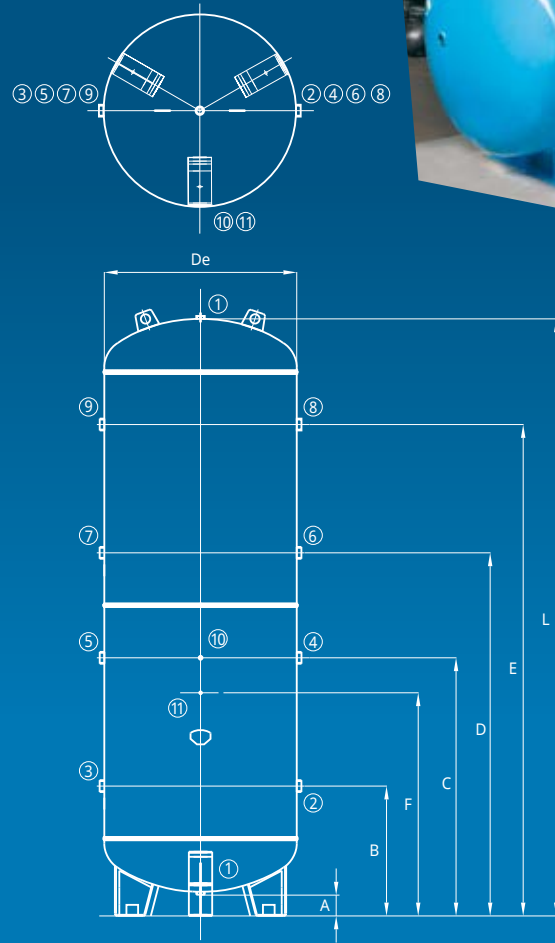


OVER SIZE PAINTED VERTICAL AIR VESSELS



DIRECTIVE 2014/68/UE (PED)
OPERATING PRESSURE 8/12/16 BAR
OPERATING TEMPERATURE -20 +80°C

- MATERIAL: CARBON STEEL
- FLUID CONTENT: COMPRESSED AIR / NITROGEN / ARGON / HELIUM / OIL / OXYGEN (GROUP 1 - HYDROGEN EXCLUDED)
- FINISHING: EXTERNAL RAL 5015 BLUE PAINT (STANDARD)
- UPON REQUEST: INSPECTION PORTS - 100X150 MM HANDHOLE - 300X400 MM MANHOLE - HORIZONTAL MODEL

CODE	Directive	Capacity	Operating pressure	De	A	B	C	D	E	F	L	1	2-3-4-5	6-7-8-9	10	11	Weight
RAL 5015		Lt	Bar	mm	mm	mm	mm	mm	mm	mm	mm	inch	inch	inch	inch	inch	Kg
VEC02311	2014/68/UE (PED)	5000	8	1650	175	1150	2200	-	-	1950	3200	2"	3"	-	3/4"	3/8"	1120
VEC02280	2014/68/UE (PED)	8000	8	1650	175	1150	1930	2460	3310	1680	4315	2"	3"	3"	3/4"	3/8"	1400
VEC02312	2014/68/UE (PED)	10000	8	1650	175	1150	2200	3150	4250	1950	5200	2"	3"	3"	3/4"	3/8"	1730
VEC01297	2014/68/UE (PED)	4000	12	1450	225	800	2145	-	-	-	2790	2"	3"	-	3/4"	3/8"	835
VEC01298	2014/68/UE (PED)	5000	12	1450	225	800	2745	-	-	-	3390	2"	3"	-	3/4"	3/8"	962
VEC00755	2014/68/UE (PED)	5000	12	1650	175	1150	2200	-	-	1950	3200	2"	3"	-	3/4"	3/8"	1360
VEC01299	2014/68/UE (PED)	6000	12	1450	225	800	3345	-	-	-	3990	2"	3"	-	3/4"	3/8"	1090
VEC01300	2014/68/UE (PED)	8000	12	1650	175	1150	1930	2460	3310	1680	4315	2"	3"	3"	3/4"	3/8"	1730
VEC00815	2014/68/UE (PED)	10000	12	1650	175	1150	2200	3150	4250	1950	5200	2"	3"	3"	3/4"	3/8"	2015
VEC02666	2014/68/UE (PED)	4000	16	1450	225	800	2145	-	-	-	2790	2"	3"	-	3/4"	3/8"	995
VEC02667	2014/68/UE (PED)	5000	16	1450	225	800	2745	-	-	-	3390	2"	3"	-	3/4"	3/8"	1145
VEC02668	2014/68/UE (PED)	6000	16	1450	225	800	3345	-	-	-	3990	2"	3"	-	3/4"	3/8"	1295
VEC01899	2014/68/UE (PED)	10000	16	1650	175	1150	2200	3150	4250	1950	5200	2"	3"	3"	3/4"	3/8"	2585